

PR W165



PURE

R-SERIES

165mm / 6.5INCH PREMIUM WOOFER

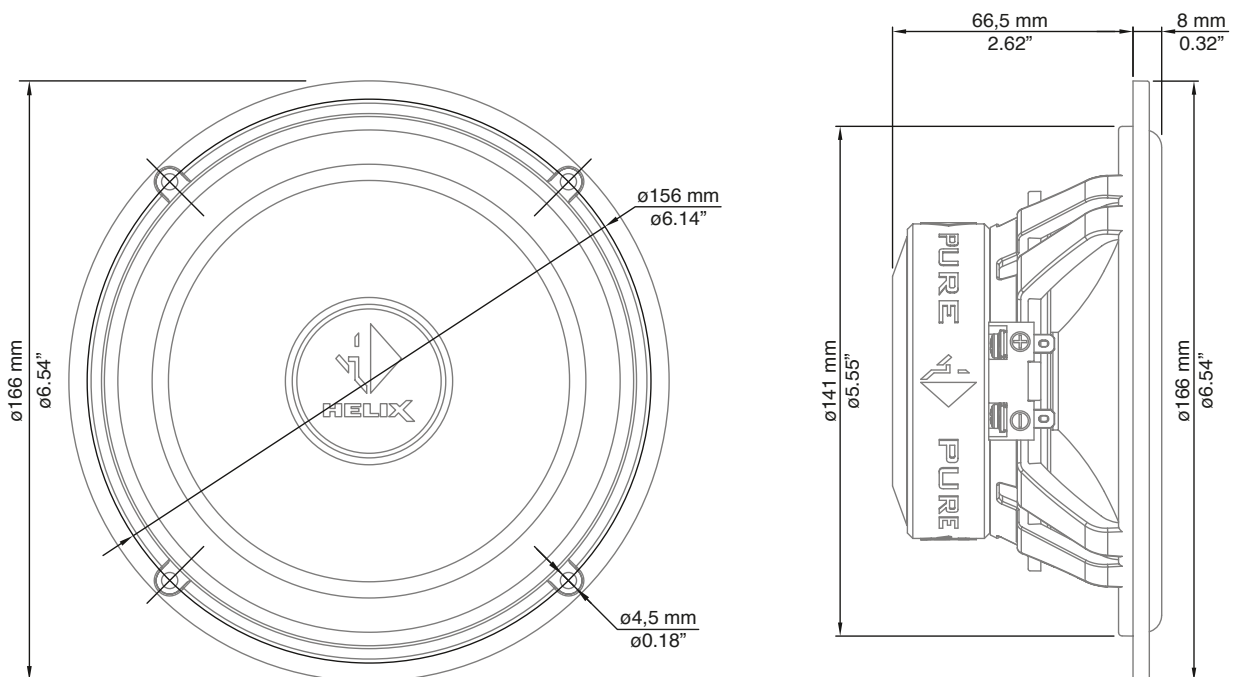


- Stiff Mica-Paper composite cone for punchy kickbass and unrivalled midrange response
- Rigid aluminum diecast basket with streamlined, low-turbulence design for optimized impulse response
- Basket with additional ventilation holes for better voice coil cooling and high power handling
- Powerful magnet system for optimum impulse response
- Including HELIX grilles for the ideal protection of the cones



Dimensions

Abmessungen



Technical data

Technische Daten

Power handling <i>Belastbarkeit</i>	RMS Max.	100 W 200 W
Impedance <i>Impedanz</i>	Z	4 Ω
DC resistance <i>Gleichstromwiderstand</i>	Re	3,1 Ω
Frequency response <i>Frequenzbereich</i>		40 Hz - 4.000 Hz
Resonance frequency <i>Resonanzfrequenz</i>	Fs	57 Hz
Mechanical Q factor <i>Mechanische Güte</i>	Qms	5,35
Electrical Q factor <i>Elektrische Güte</i>	Qes	0,63
Total Q factor <i>Gesamtgüte</i>	Qts	0,57
Compliance <i>Nachgiebigkeit</i>	Cms	440 μm/N
Equivalent air volume <i>Äquivalentvolumen</i>	Vas	10,8 L
Force factor <i>Kraftfaktor</i>	B*I	6,1 Tm
Sensitivity <i>Wirkungsgrad</i>	SPL	91 dB @ 2,83V / 1m 88 dB @ 1W / 1m
Cone area <i>Membranfläche</i>	Sd	133 cm ²
Moving mass <i>Bewegte Masse</i>	Mms	17,9 g
Mechanical resistance <i>Mechanischer Widerstand</i>	Rms	1,19 kg/s
Voice coil diameter <i>Schwingspulendurchmesser</i>	Ø	25 mm
Voice coil winding height <i>Schwingspulenwickelbreite</i>		12 mm
Max. linear excursion <i>Max. linearer Membranhub</i>	Xmax	+/- 3 mm